

P6KASMA SERIES

RATINGS AND CHARACTERISTIC CURVES

Ratings and

Characteristic Curves (T_J = 25°C unless otherwise noted)

Fig. 1 - Peak Pulse Power Rating

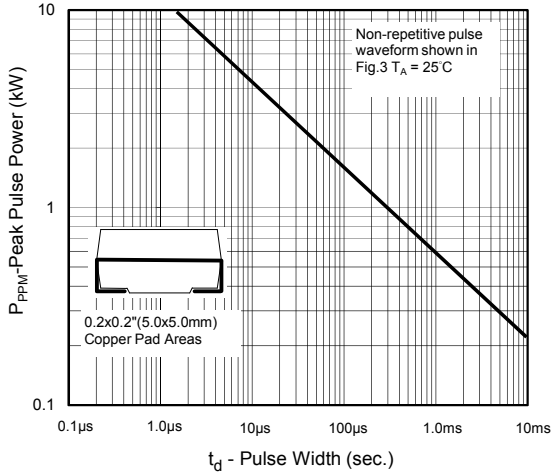


Fig.2 - Pulse Derating Curve

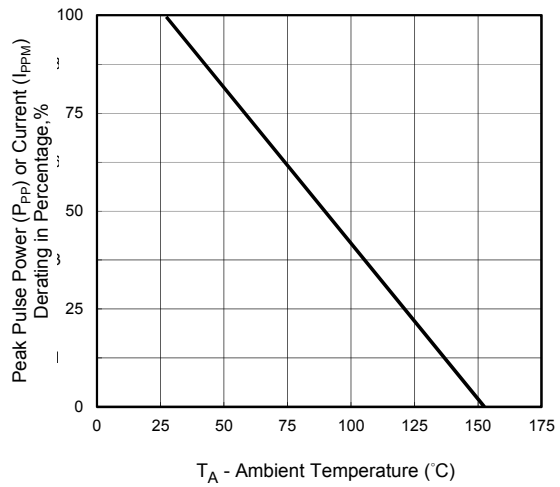


Fig.3 - Pulse Waveform

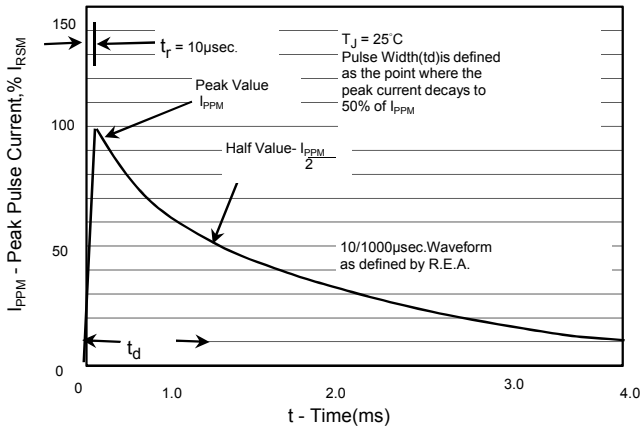


Fig. 4 - Typical Junction Capacitance

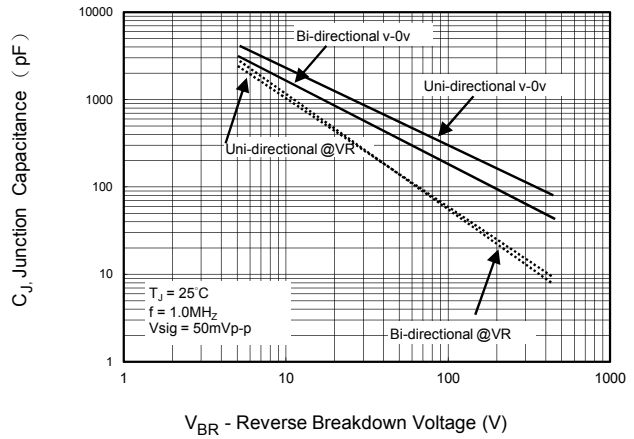


Fig. 5 - Steady State Power Derating Curve

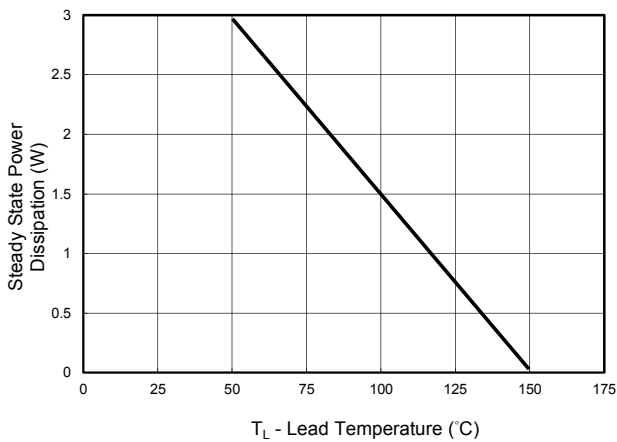


Fig.6 - Maximum Non-repetitive Forward Surge current uni-directional only

